

Technical Data of Engine: **MAN D2840 LE 201**

MAN



Cylinders	: 4 Stroke, 10 Cylinder V Diesel Engine
Aspiration	: Exhaust turbocharger
Injection	: Bosch in-line pump, with integrated electromagnetic actuator
Displacement	: 18.27 L
Cooling	: Water-cooled with Intercooler
Oil Consumption (max)	: 435 g/h
Lube oil Capacity	: 30 L
Coolant Capacity	: 65 L
Governor	: GAC ESD 555 CE
Speed	: 1500 rpm
Mechanical Output	: 451 kW / 563 kVA
Fuel Con. 100% Load	: 196 g/kWh / 104 l/h
Radiator Cooling Air Flow	: 34000 m ³ /h
Exhaust Gas Air Flow	: 4850 m ³ /h

Technical Data of Alternator: **Leroy-Somer TAL047 C**

Leroy-Somer



Model Option 1	: Leroy Somers TAL 047C
Option 2	: As per customer request
AVR type	: R150
Voltage regulation	: +/- 1%
International Protection	: IP 23
Insulation Class	: H
Terminals	: 4 Terminal Plate
Connection	: Star and Delta
Frequency	: 50-60 Hz (as per customer request)
Coolant Air Flow	: 0.9-1.1 m ³ /s

Control Panel: **DSE7320**

DSE

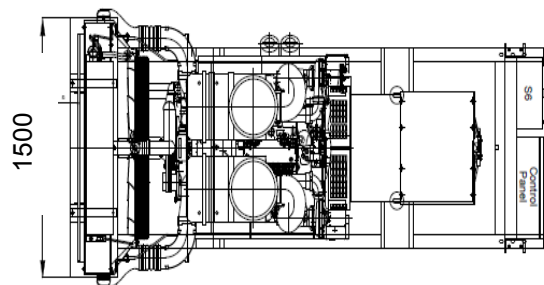
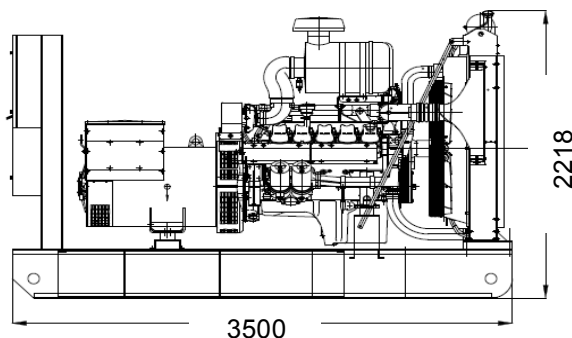


Automatic Start Control	1% of Full scale true RMS Sensing
USB Port	
kWh monitoring	
kW overload protection	

Rating of Electro Pack: **EP 520.**

EP 520 Rating @ 0.8PF		Prime Rating	Standby Rating
Voltage / Connection (Y-Δ)	Freq. / Speed	EP 520	
400 – 230 V	50 Hz – 1500 R.P.M	500 kVA	550 kVA
380 – 220 V	60 Hz – 1800 R.P.M	520 kVA	570 kVA

1. The applicable voltage range is 400V - 230V for 50Hz applications and 380V - 220V for 60Hz.
2. This generating set is switchable from 1500rpm to 1800rpm.
3. 500kVA is the Prime Power rating of this power generating set, where a variable load and unlimited hours usage are applied. Average load factor is 80% of prime power in every 24H.
4. 550kVA is the Standby Power rating of this power generating set, where a variable limited to an annual usage of up to 500Hours is applied. No overload being permitted.



Disclaimer: AMCO have made all effort to ensure that the information in this data sheet is accurate, but we serve he right to amend specifications and information without notice and without obligation or liability.